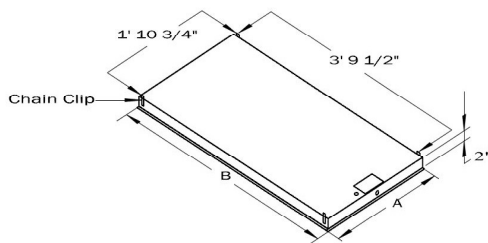
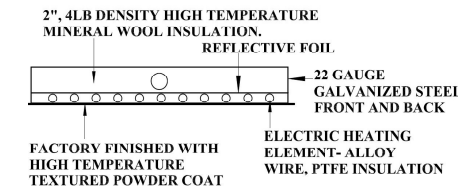
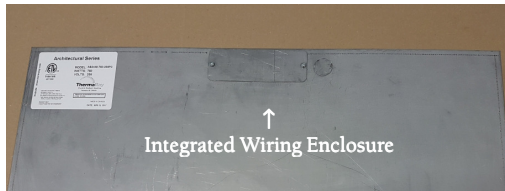




ARCHITECTURAL SERIES SYSTEM Installation Guide

Whether you're a contractor, architect, builder or homeowner, creating the perfect indoor environment has always been a challenge. **ThermaRay**, the world's #1 name in thermal comfort systems introduces you to the ultimate heating solutions. Please take the time to read this installation guide carefully before you begin. Remember, accurate measurements are the key to success for a proper installation!

Suspended Heaters: Each heater comes equipped with four suspension clips. A wire or chain is connected to the clips to carry the weight of the heating panel.



ThermaRay High Density Heating Panel

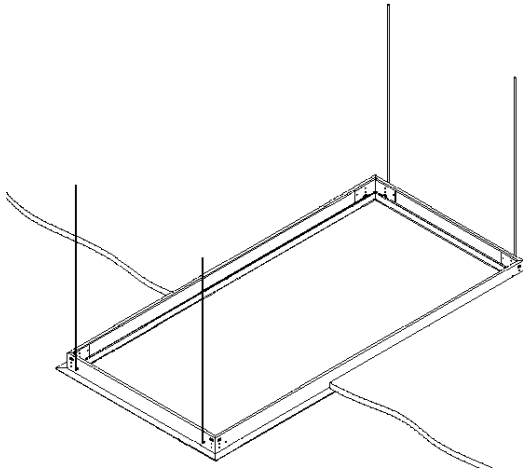
MECHANICAL INSTALLATION

Before beginning installation, check heating panel(s) for damage. Do not install damaged panels. **ThermaRay** commercial heaters Series AS may be installed in suspended "T-Bar" ceiling systems or surface or recess mounted using optional mounting frames. For surface or recess mounting, refer to mechanical installation instructions provided with mounting frame kits. Minimum recommended installed height from floor is 8 eight feet (2.4 meters). Once the support channeling is erected, the heaters may be laid in desired locations. To access the integrated wiring enclosure, remove the two screws holding the plate in place.

BRANCH CIRCUIT CONNECTION

ThermaRay Architectural Series heaters are to be connected in parallel to the branch circuit. Canadian installations shall be made according to the provisions of Section 62 of the Canadian Electrical Code, Part 1, and to regulations of all authorities having jurisdiction. U.S. installations are to be made in accordance with the National Electrical Code and local codes where applicable. When determining the number of branch circuits required to accommodate the heating load, note the branch circuit must be de-rated in accordance with Canadian Electrical Code or National Electrical Code as applicable. For proper heater performance, ensure the supply voltage matches the voltage printed on the heater nameplate. DO NOT connect the heater to a higher voltage. Connection to lower voltages is permitted but will cause the heater to operate at a reduced wattage. Ensure the electrical supply is de-energized before connection in an approved box using approved wire nuts. Replace integrated wiring enclosure cover before energizing.

Plaster Frame Kit Option



FINAL INSTALLATION

Remaining grid spaces may be filled with acoustic decorator tiles as desired. Ensure there is access to supply connectors through adjacent non-heating panels.

CONTROLS - refer to the control layout drawing for the various configurations that apply to your specific installation.

ThermaRay Inc.

670 Wilsey Road, Unit 6

Fredericton, N.B.

Canada E3B 7K4

Tel: 506-457-4600 Fax: 506-457-4699

E-mail: sales@thermaray.com

www.thermaray.com

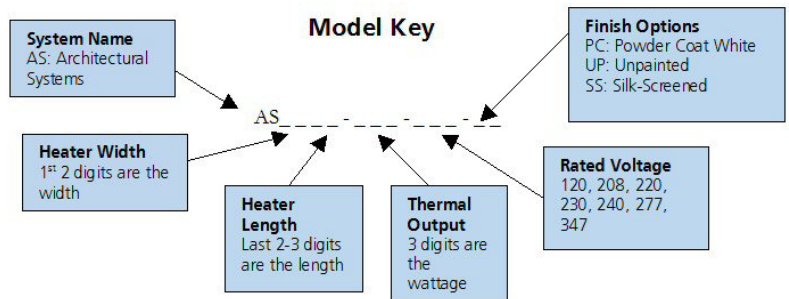
Printed in Canada



Conforms to UL STD 2021

Certified to CSA STD C22.2 No.46.

CATALOGUE#	VOLTAGE	WATTS	WIDTH(IN)	LENGTH(IN)	WEIGHT (LBS)
AS1448-350-120	120	350	14	48	18
AS1460-430-120	120	430	14	60	22
AS2424-250-120	120	250	24	24	15
AS2424-375-120	120	375	24	24	15
AS2448-500-120	120	500	24	48	30
AS2448-750-120	120	750	24	48	30
AS1448-435-208	208	435	14	48	18
AS1460-450-208	208	450	14	60	22
AS2424-250-208	208	250	24	24	15
AS2424-375-208	208	375	24	24	15
AS2448-525-208	208	525	24	48	30
AS2448-750-208	208	750	24	48	30
AS1448-435-240	240	435	14	48	18
AS1460-550-240	240	550	14	60	22
AS2424-250-240	240	250	24	24	15
AS2424-325-240	240	325	24	24	15
AS2448-500-240	240	500	24	48	30
AS2448-725-240	240	725	24	48	30
AS1448-435-277	277	435	14	48	18
AS1460-535-277	277	535	14	60	22
AS2424-250-277	277	250	24	24	15
AS2424-375-277	277	375	24	24	15
AS2448-500-277	277	500	24	48	30
AS2448-750-277	277	750	24	48	30
AS1448-400-347	347	400	14	48	18
AS1460-540-347	347	540	14	60	22
AS2424-250-347	347	250	24	24	15
AS2424-375-347	347	375	24	24	15
AS2448-500-347	347	500	24	48	30
AS2448-750-347	347	750	24	48	30
SURFACE MOUNTING FRAMES					
SF1448			14	48	8
SF1460			14	60	9
SF22			24	24	6
SF24			24	48	9
PLASTER MOUNTING FRAMES					
PF1448			14	48	4
PF1460			14	60	6
PF22			24	24	4
PF24			24	48	6



ACCESSORIES

SR-LV

Low voltage **ThermaRay** Controller with plaster ring to be used with an SRDP2 Distribution Panel

SR-LV-B

Low voltage **ThermaRay** Controller with box ring to be used with an SRDP2 Distribution Panel

THERMARAY DISTRIBUTION PANELS

SRDP2-10-10

10 communication ports for controls & 10 relays

SRDP2-10-20

10 communication ports for controls & 20 relays

SRDP2-20-20

20 communication ports for controls & 20 relays

NOTE: Heaters are available in 120, 208, 240, 277 and 347 volts. When ordering, add desired voltage as a suffix number followed by the finish code (example: AS2448-500-240PC). Other size panels are available upon request..