

AS Series

Radiant Ceiling Panels



Applications

- Atriums • Lobbies
- Hot Yoga Studios • Offices
- Entryways • Schools
- Wellness Centers • Warehouses
- Hospitals • Garages

AS Series radiant panels are ideal for offsetting heat loss through exterior glass on the perimeter of a building. They help to control the problem of condensation typically found with these large exterior glass walls. Radiant panels provide improved comfort by maintaining an even temperature from floor to ceiling.

Radiant Heat: Radiant energy travels in straight lines and is absorbed by objects in the room, warming the space. Air quality is maintained because no forced air movement occurs with radiant heating.

Maximize Work Area: Ceiling mounted panels permit full use of floor and wall space.

Maintenance Free: Radiant panels have no moving parts, so they are maintenance free and can provide years of quiet, safe and clean operation.

Warranty: 10 years on the heater—twice as long as the competition.

Standard Construction Features

Heating Element – High quality alloy resistance wire is electrically insulated with a PTFE compound rated for 250°C (482°F). Heating wires are covered with high-efficiency reflective foil.

Panel Design – Panel is made of 22-gauge galvanized steel with a white baked-on powder paint finish. Panel is crimped, not riveted, for improved strength.

Insulation – Each panel contains two inches of high temperature/high density mineral wool insulation.

Electrical – An integrated internal junction box with a cover is designed for field wiring and has two (2) knockouts to connect the panels to each other.

Installation Requirements – Heater can be installed in suspended T-bar ceiling systems or can be surface or recessed mounted using optional mounting frames.

Heater comes equipped with four suspension clips. Connecting wire or chain is supplied by customer.

Minimum recommended mounting height is eight (8) feet (2.4 m) from the floor.

Rough In Dimensions – for Plaster Mounting Frames only

PF22: 24-3/8" x 24-3/8" (619.125mm x 619.125mm)

PF24: 24-3/8" x 48-3/8" (619.125mm x 1228.725mm)

PF-1448: 14-3/8" x 48-3/8" (365.125mm x 1228.725mm)

PF-1460: 14-3/8" x 60-3/8" (365.125mm x 1533.525mm)



AS Series Radiant Ceiling Panels

Factory Built-in Options

Code	Description
	48" Flexible conduit available but not standard
PCW	Provides protection in high moisture areas. Includes 36" (91.44 cm) water tight conduit and silicone seal
TEG	Tegular reveal edge detail of 9/16" grid
T-15	Fineline Tegular reveal edge for 15"/16" grid

Finishes

Code	Description
	Specify custom color finish
PC	Standard finish: textured white baked-on powder coating on front panel
S304	304 Stainless steel construction, includes 36" (91 cm) of sealtite conduit and silicone seal.
S316	316 Stainless steel construction, includes 36" (91 cm) of sealtite conduit and silicone seal.
SS	Silk screen to match acoustical ceiling tiles (specify style). One time set-up fee if pattern is not in stock.

Field Installed Options

(shipped loose for field installation into heater)

Catalog Number	Width In. (mm)	Length In. (mm)	Weight lb. (kg)
Surface Mounting Frames			
SF-22	24 (610)	24 (610)	4 (1.8)
SF-24	24 (610)	48 (1219)	9 (4.1)
SF-1448	14 (356)	48 (1219)	8 (3.6)
SF-1460	14 (356)	60 (1524)	10 (4.5)
Plaster Mounting Frames			
Nominal Sizes			
PF-22	24 (610)	24 (610)	2 (1.0)
PF-24	24 (610)	48 (1219)	4 (1.8)
PF-1448	14 (356)	48 (1219)	5 (2.3)
PF-1460	14 (356)	60 (1524)	6 (2.7)
Filler Panel			
FP	Sized and finished to match standard, custom color or silk-screened panel		

(1) Stainless steel frame, specify 304 or 316 type. Add finish code to end of catalog

Control Options (or can be provided by others)

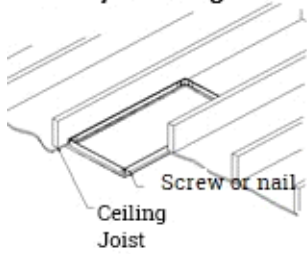
Catalog Number	Description
SR-LV	Low Voltage controller c/w plaster ring. Floor or or remote limit sensor(s) must be ordered at the same time. Requires connection to the SRDP2 (Distribution Panel)
SR-LV-B	Same as the SR-LV but with a box ring for double gang electrical box instead of the plaster ring
SR Sensor	15' (4.5 m) Long. Longer lengths available
SRDP2-10/10	Distribution Panel w/10 comm ports and 10 each 20 amp relays
SRDP2-10/20	Distribution Panel w/10 comm ports and 20 each 20 amp relays
SRDP2-20/20	Distribution Panel w/20 comm ports and 20 each 20 amp relays



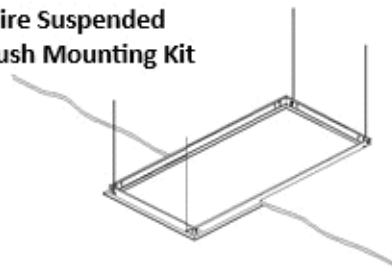
AS Series

Radiant Ceiling Panels

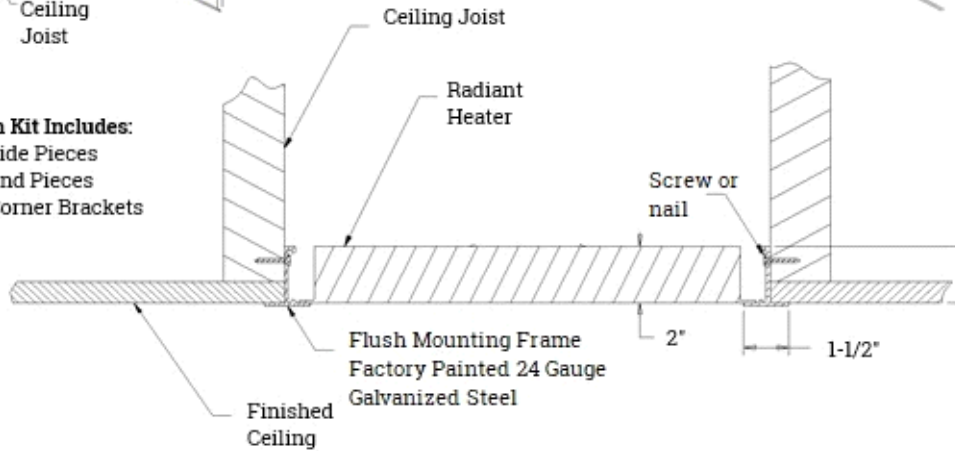
**Flush Mount Frame
in Drwyall Ceiling**



**Wire Suspended
Flush Mounting Kit**

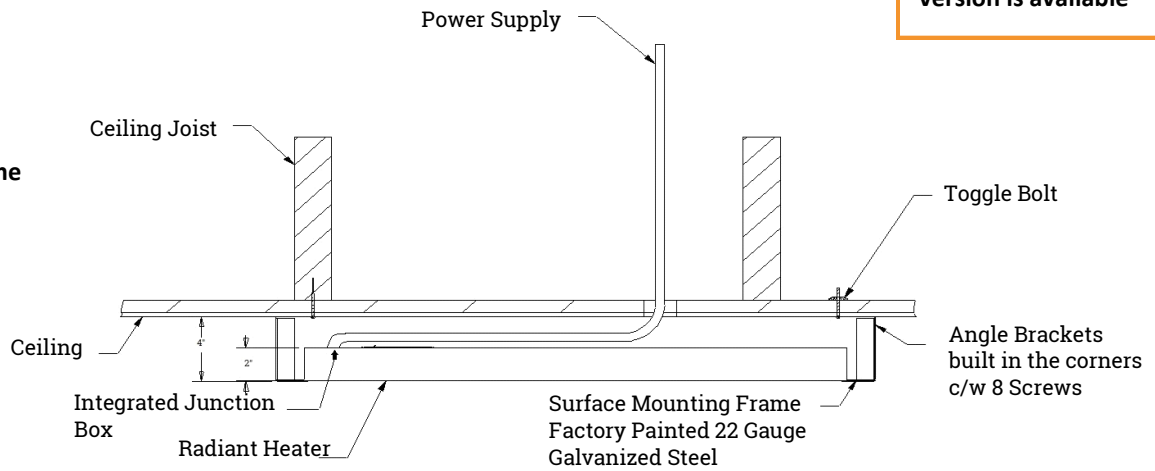


Each Kit Includes:
2 - Side Pieces
2 - End Pieces
4 - Corner Brackets

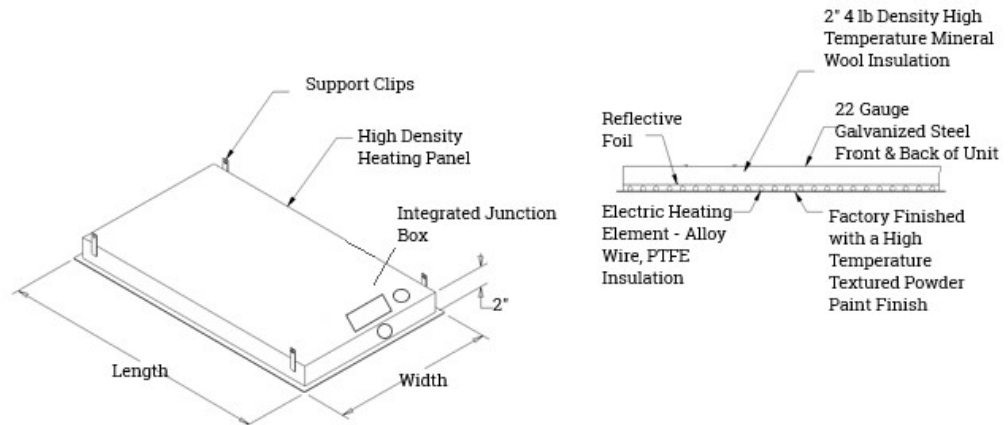


Note: a "thin" heater version is available

Surface Frame



Cutaway View of AS Series



AS Series Radiant Ceiling Panels

AS—Radiant Ceiling Panels Listing

24" x 24" (nominal)

Weight: 15 lbs. (6.8 kg)

Wattage	Voltages Available				
250	120	208	240	277	347
300					347
310	120	208	240	277	
325			240		
335	120			277	
355		208			
360					347
375	120	208		277	347

24" x 48" (nominal)

Weight: 30 lbs. (13.6 kg)

Wattage	Voltages Available				
500	120		240	277	347
515		208			
535		208			
625	120	208	240		347
650					347
660				277	
700					347
725			240		
750	120	208		277	347

14" x 48" (nominal)

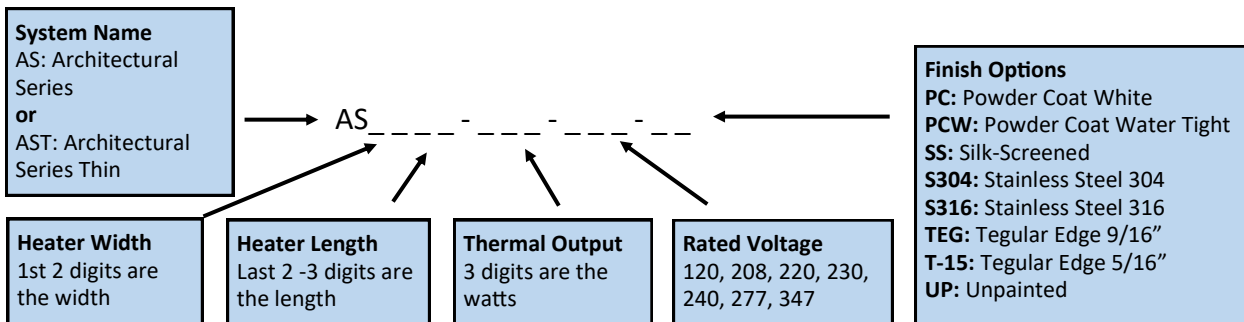
Weight: 18lbs. (8.2 kg)

Wattage	Voltages Available				
300		208	240		
325	120				
350	120			277	
400		208			347
435		208	240	277	

14" x 60" (nominal)

Weight: 22lbs. (10 kg)

Wattage	Voltages Available				
350	120				
375			240	277	
430	120				
450		208			
535				277	
540					347
550			240		



Metric sizes available
Custom sizes available

Example Model Names:
AS2448-750-208PC
AST2448-750-208PC

